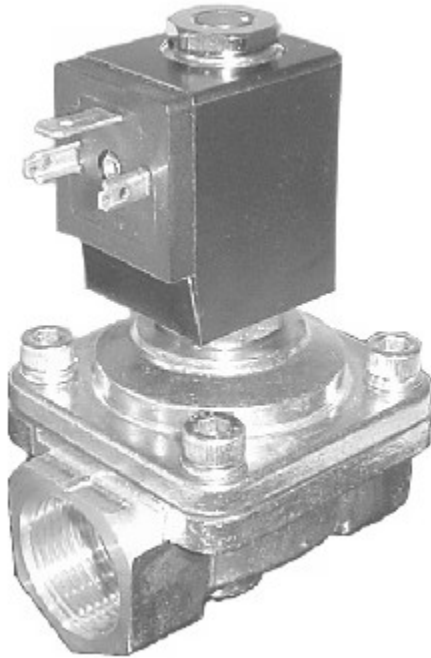


200 SERIES 2/2 NC DIRECT ACTING SOLENOID VALVE 3/4" NPT



TECHNICAL INFORMATION:

MEDIA: COMPRESSED AIR, WATER, VACUUM, AND OTHER INERT GASES
(FOR USE WITH OTHER MEDIA CONSULT CUSTOMER SERVICE.)

AMBIENT TEMPERATURE: -20 C TO +50 C

RELATIVE DUTY CYCLE: 100%

INSULATION CLASS: F (ACC. TO DIN VDE 580)

DEGREE OF PROTECTION: 1P65 (DUST TIGHT & WATER TIGHT)

MATERIALS:

ARMATURE TUBE: SPECIAL CUSTOM MADE CORROSION RESISTANT CR-NI-STEEL

PLUNGER : ELECTROLESS NICKEL PLATED STEEL

EPOXY MOLDED COIL

POWER CONSUMPTION: 15W DC & 22VA/50HZ - 19VA/60HZ

SEALS: VITON (DIAPHRAGM)

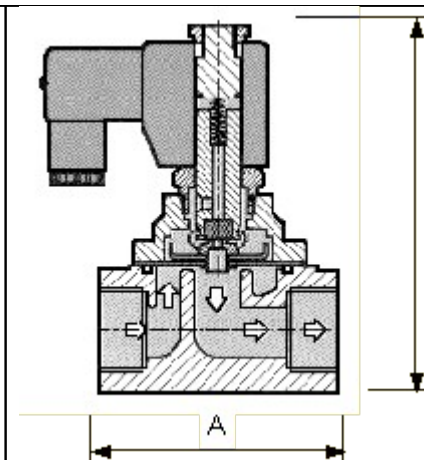
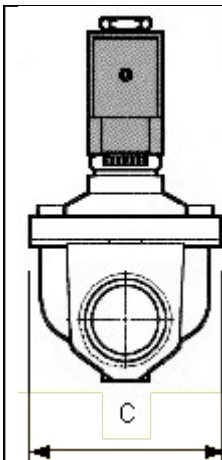
BODY: BRASS

STANDARD VOLTAGES: 110VAC, 220VAC, 12VDC, & 24VDC

VOLTAGE TOLERANCE: +/- 10%

FUNCTION	ORIFICE SIZE mm	PRESSURE PSI MAX.	FLOW FACTOR Cv	ADD VOLTAGE TO GET PART NUMBER EX: 234-110VAC
2/2 NC	20	AC 120 / DC 85	8.6	234-

NOTE: SHOWN WITH TYPE 2 DIN CONNECTOR
(CONNECTOR MUST BE ORDERED SEPARATELY)



- COIL CAN BE ROTATED 360 DEGREES
- COIL CAN BE CHANGED UNDER PRESSURE
- FAST RESPONSE – DIRECT ACTING- SPRING RETURN
- PERFECT FOR LOW PRESSURE APPLICATIONS
- INSTALLATION: SLANT PIPE OR WATER LEVEL
- DIE CAST BRASS BODY

DIMENSIONS	A	B	C
IN MILLIMETERS	71.0	107.5	58.0